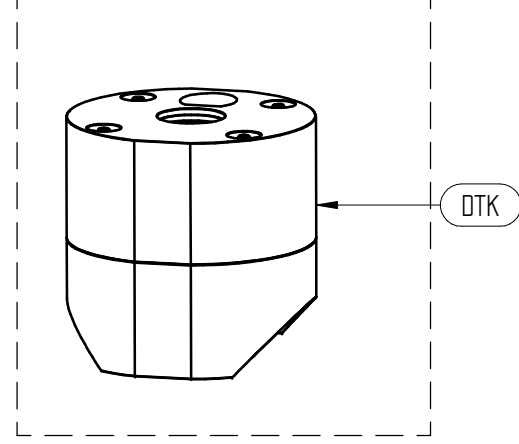
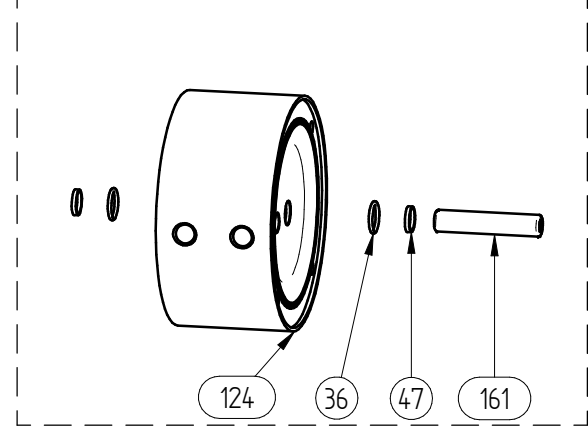


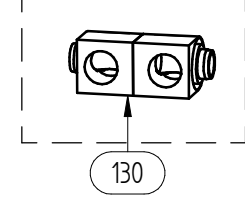
Built on pulsation dampener - K



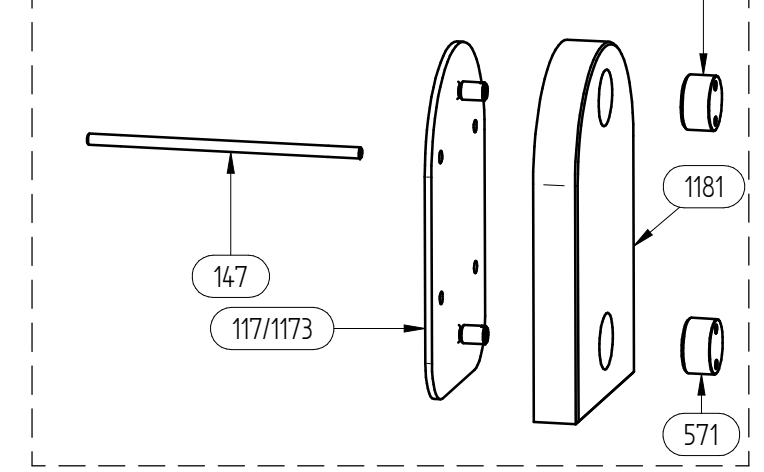
External air supply - 5EC



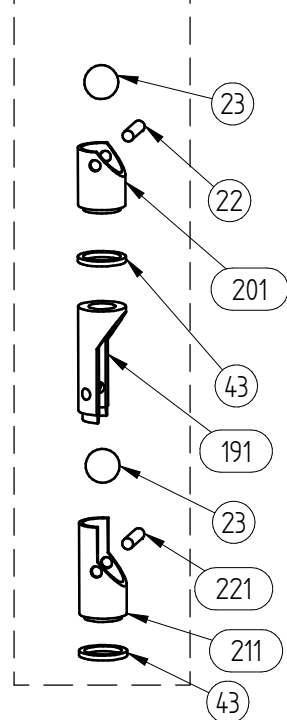
Twin connections - T



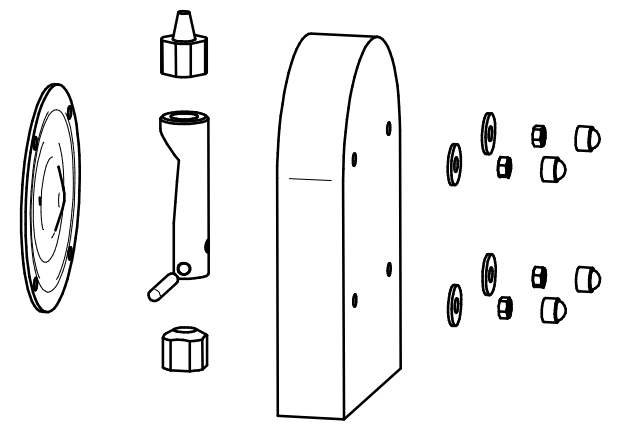
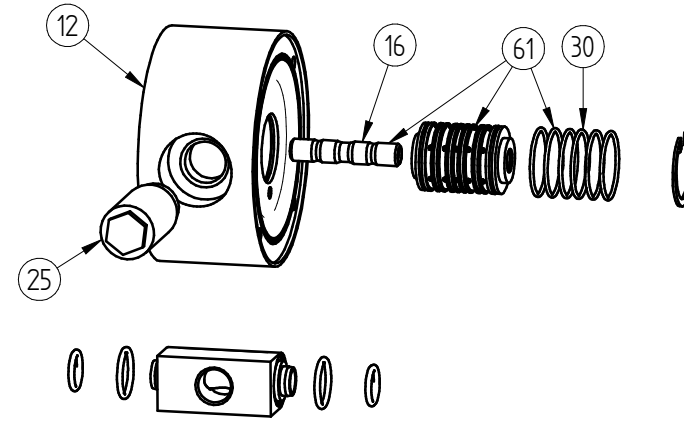
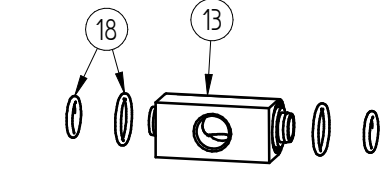
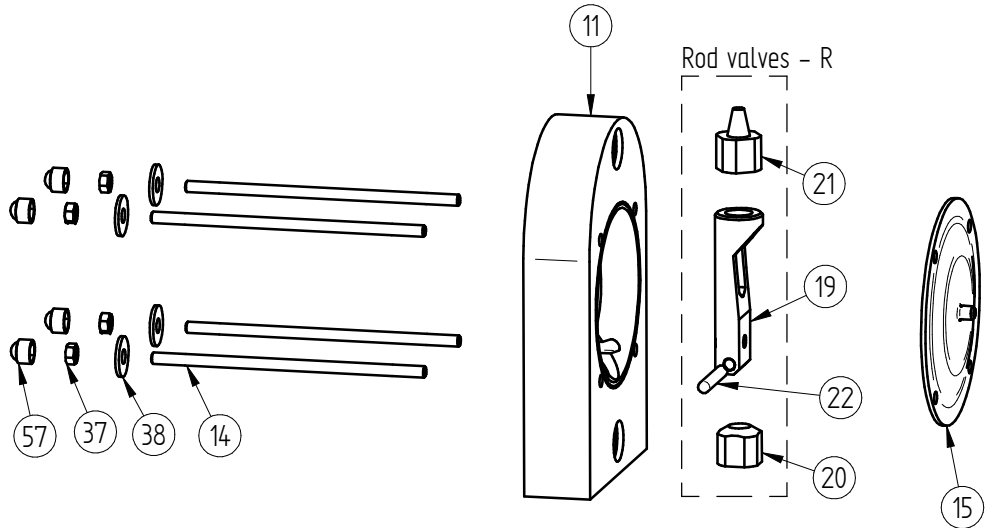
Reinforcement (PTFE pumps) x 2



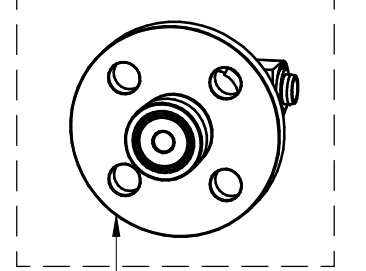
Ball valves - no sign (x2)



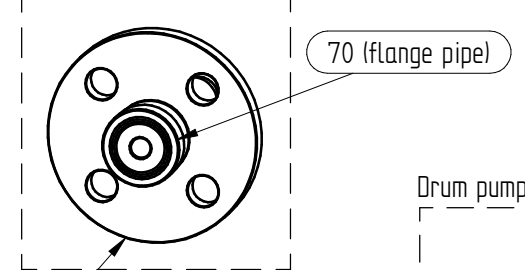
Rod valves - R



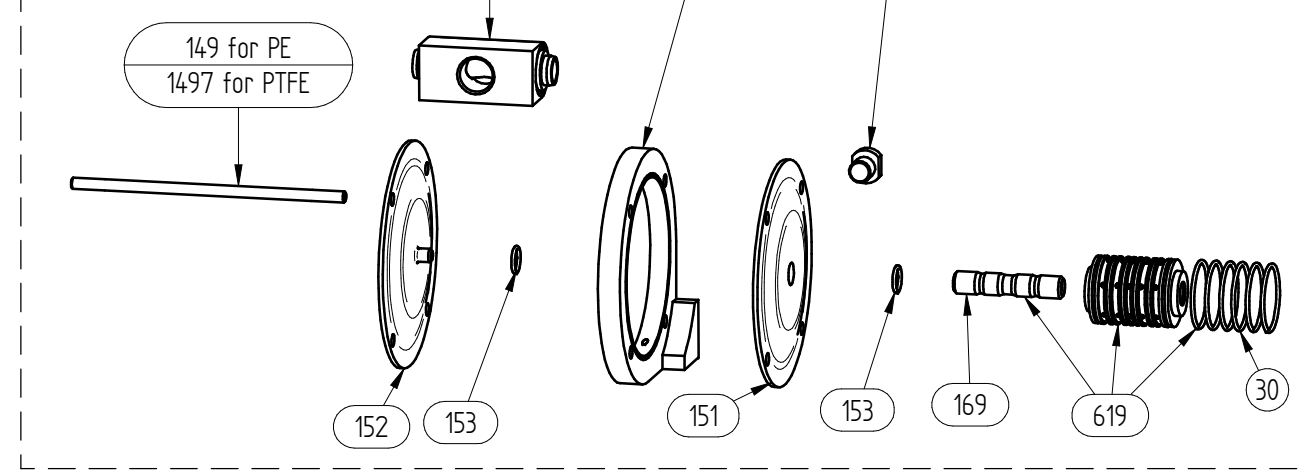
Welded flange connections - 3..Y



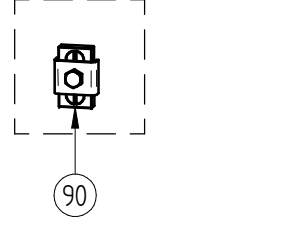
Screwed in flange connections - 3A.. / 3D.. / 3J..



Double diaphragm - B x2 (TR20 only)



Earthing (ATEX version) - X



Drum pump - D (TR20 only)

